

PROPOSED CYCLE SIGNS MOUNTED BACK TO BACK ON EXISTING LIGHTING COLUMN USING PROPRIETARY STAINLESS STEEL FIXINGS AT 2100mm MINIMUM MOUNTING HEIGHT

SIGN DIAGRAM NUMBER 956 (300mm DIA)



300mm DIA

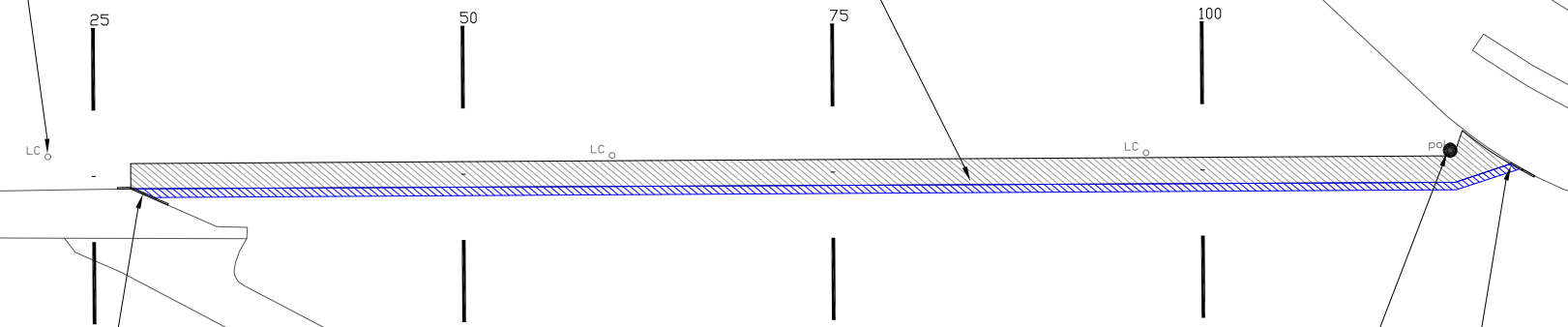
SIGN DIAGRAM NUMBER 965



Scheme Ref.		x-height	30.0
Sign Ref.	965	SIGN FACE	
Letter colour	WHITE	Width	295mm
Background	BLUE	Height	325mm
Border	WHITE	Area	0.10sq.m
Material	Class RA2 (12899-1:2007)		

PROPOSAL: EXISTING FOOTWAY TO BE WIDENED FROM 2.0m TO 2.4m TO CREATE SHARED USE CYCLEWAY BETWEEN WETHERBY ROAD AND KNARESBOROUGH ROAD

SEE TYPICAL DETAIL A ON TM-CYC-0910-STR108 (NO FILTER DRAIN REQUIRED)



EXISTING ACCESS ROAD

PROPOSAL: EXISTING DROPPED KERBS TO BE EXTENDED BY 3 PCC BN CENTRES AND 1 PCC BN TRANSITION KERB

PROPOSED CYCLE SIGNS MOUNTED BACK TO BACK ON EXISTING CCTV MAST USING PROPRIETARY STAINLESS STEEL FIXINGS/AT 2100mm MINIMUM MOUNTING HEIGHT

SIGN DIAGRAM NUMBER 956 (300mm DIA)



300mm DIA

Sign Reference	956
Height	300mm
Width	300mm
Area *	0.07sq.m
Material	Class RA2 (12899-1:2007)
Mount Height	2300
* Area reduced for rounded corners.	

SIGN DIAGRAM NUMBER 966



590 x 250mm

Scheme Ref.		x-height	40.0
Sign Ref.	Cyclist Dismount	SIGN FACE	
Letter colour	WHITE	Width	535mm
Background	BLUE	Height	230mm
Border	WHITE	Area	0.12sq.m
Material	Class RA2 (12899-1:2007)		

PROPOSAL: EXISTING DROPPED KERBS TO BE EXTENDED BY 1 PCC BN DROPPED KERB CENTRE KERB AND 1 TRANSITION AS NECESSARY

ADDITIONAL BUFF COLOURED TACTILE PAVING TO BE LAID TO SUIT

square

KNARESBOROUGH ROAD

WETHERBY ROAD

GENERAL ARRANGEMENT  
CHAINAGE 0m to 125m  
SCALE 1:500



STRAY CYCLEWAY, HARROGATE  
SECTION 5  
GENERAL ARRANGEMENT PLAN  
CHAINAGE 0m TO 125m

SCALE 1:500@A3 DRAWN BY PJR DATE OCT 09

Originating Group  
HIGHWAYS AND TRANSPORTATION

Drawing Number  
TM-CYC-0910-STR04